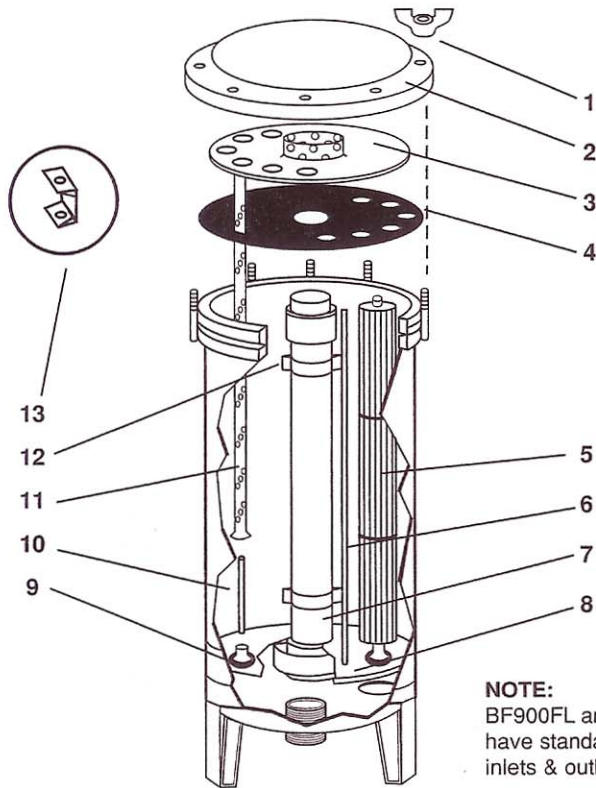


CLUSTER CARTRIDGE FILTERS

Models BF450, BF600, BF900FL, BF1200FL



NOTE:
BF900FL and BF1200FL
have standard 4" flanged
inlets & outlets.

Model BF450			
Part No.	No.	Qty.	Description
202	1	10	Brass Wing Nut
669	2	1	SS Lid
670	3	1	SS Top Disc
671	4	1	Top Seal
ST/6	5	75	Harmsco Cartridge
678-3	6	1	Aligning Rod
672	7	1	Standpipe
677	8	1	SS Sub Base Assembly
639	9	25	Bottom Seal
625	10	25	Centering Rod
622	11	25	Cartridge Lifter
889	12	4	10 - 32 Nuts
888	12	4	10 - 32x3/4" Screw
525	13	1	Leg Extension (Set of 3)

Model BF600			
Part No.	No.	Qty.	Description
202	1	10	Brass Wing Nut
669	2	1	SS Lid
670	3	1	SS Top Disc
671	4	1	Top Seal
ST/6	5	100	Harmsco Cartridge
679-3	6	1	Aligning Rod
673	7	1	Standpipe
677	8	1	SS Sub Base Assembly
639	9	25	Bottom Seal
625	10	25	Centering Rod
623	11	25	Cartridge Lifter
889	12	4	10 - 32 Nuts
888	12	4	10 - 32x3/4" Screw
525	13	1	Leg Extension (Set of 3)

Model BF900FL			
Part No.	No.	Qty.	Description
202	1	20	Brass Wing Nut
613	2	1	SS Lid
651	3	1	SS Top Disc
653	4	1	Top Seal
ST/6	5	150	Harmsco Cartridge
678-4	6	1	Aligning Rod
646	7	1	Standpipe
638	8	1	SS Sub Base Assembly
639	9	50	Bottom Seal
625	10	50	Centering Rod
622	11	50	Cartridge Lifter
889	12	4	10 - 32 Nuts
888	12	4	10 - 32x3/4" Screw
525	13	1	Leg Extension (Set of 3)

Model BF1200FL			
Part No.	No.	Qty.	Description
202	1	20	Brass Wing Nut
613	2	1	SS Lid
651	3	1	SS Top Disc
653	4	1	Top Seal
ST/6	5	200	Harmsco Cartridge
679-4	6	1	Aligning Rod
647	7	1	Standpipe
638	8	1	SS Sub Base Assembly
639	9	50	Bottom Seal
625	10	50	Centering Rod
623	11	50	Cartridge Lifter
889	12	4	10 - 32 Nuts
888	12	4	10 - 32x3/4" Screw
525	13	1	Leg Extension (Set of 3)