

Little GIANT®

5-ASP SERIES



Features

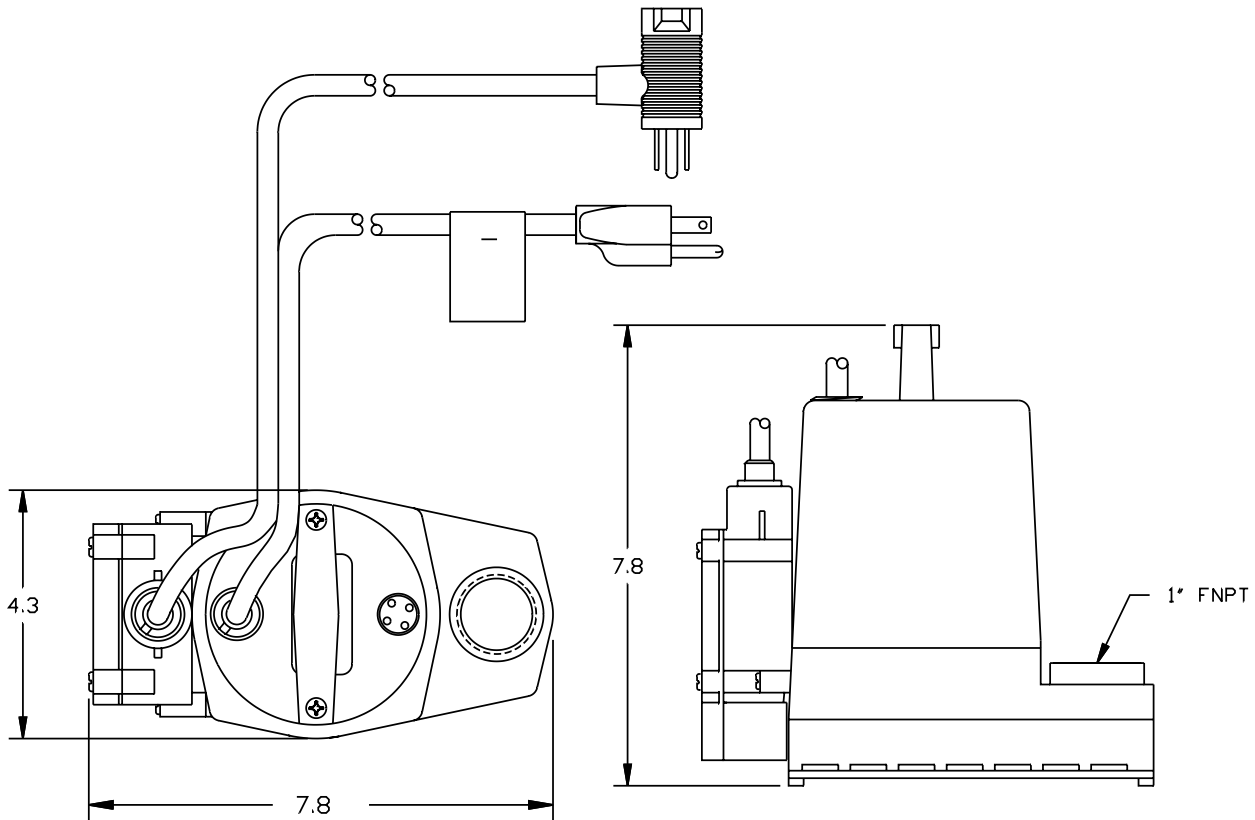
- Automatic or manual operation
- Epoxy coated die-cast aluminum housing
- Oil-filled motor
- 26.3' maximum lift
- 380 watts
- 1" FNPT discharge
- Thermal overload protection
- ASP On level: 6"–9", Off level: 1"–4"
- **ASP-LL** On level: 2"–3", Off level: ½"–1½"
- Piggyback diaphragm switch
- For submersible use only

Construction

- Motor — 1/6 HP oil filled
- Intermittent Liquid Temp. up to — 120°F
- Intake — Screened
- Discharge — 1" MNPT
- Housing — Epoxy coated cast aluminum
- Cover — Epoxy coated cast aluminum
- Volute — Nylon
- Impeller — Nylon
- Shaft Seal — Viton®
- Screen — Nylon

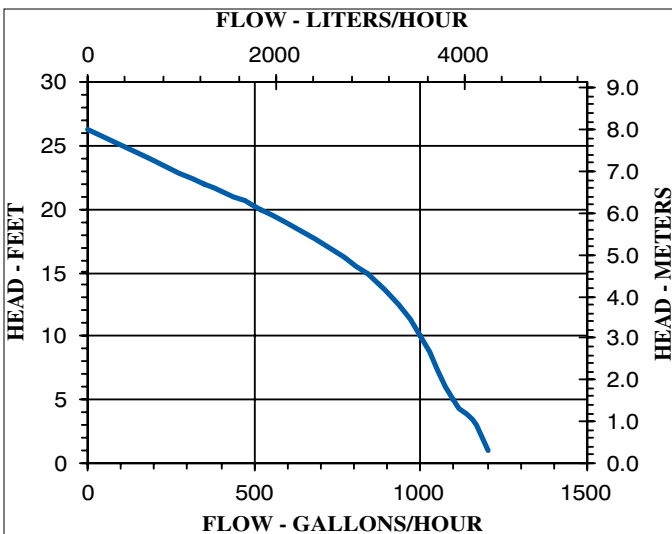
Automatic/Manual submersible utility pump with oil-filled motor and epoxy coated cast aluminum housing. For commercial, industrial and home applications where liquid must be transferred or recirculated. Pumps down to 1/8" in manual mode operation. This 1200 GPH pump features a 1" FNPT discharge with garden hose adaptor, 26.3' shut-off head capability, and screened inlet.

5-ASP SERIES



Specifications

Model No.	Item No.	Discharge Size	Intake	Listing(s)	HP	Volts	Hertz	Amps	Watts	Performance (GPH@Head)					Shutoff		Cord Length (ft.)	Weight (lbs.)
										1'	3'	5'	10'	20'	Ft.	P.S.I.		
5-ASP	505300	1" FNPT	Screened	UL/CSA	1/6	115	60	5.0	380	1200	1170	1100	1000	520	26.3	11.4	10	9.00
5-ASP-LL	505350	1" FNPT	Screened	UL/CSA	1/6	115	60	5.0	380	1200	1170	1100	1000	520	26.3	11.4	18	10.00



Replacement Parts

Volute	105200
Screen	105900
Impeller	105310
Handle	105911
Adapter (GH)	599030
Seal Ring	928024
RS-5 Switch, 10'	599008
RS-5-LL Switch, 18'	599014

LittleGIANT®
 PO Box 12010 • Oklahoma City, OK 73157
 Phone: 800.701.7894 • Fax: 800.701.8046
 E-mail: customerservice@littlegiant.com