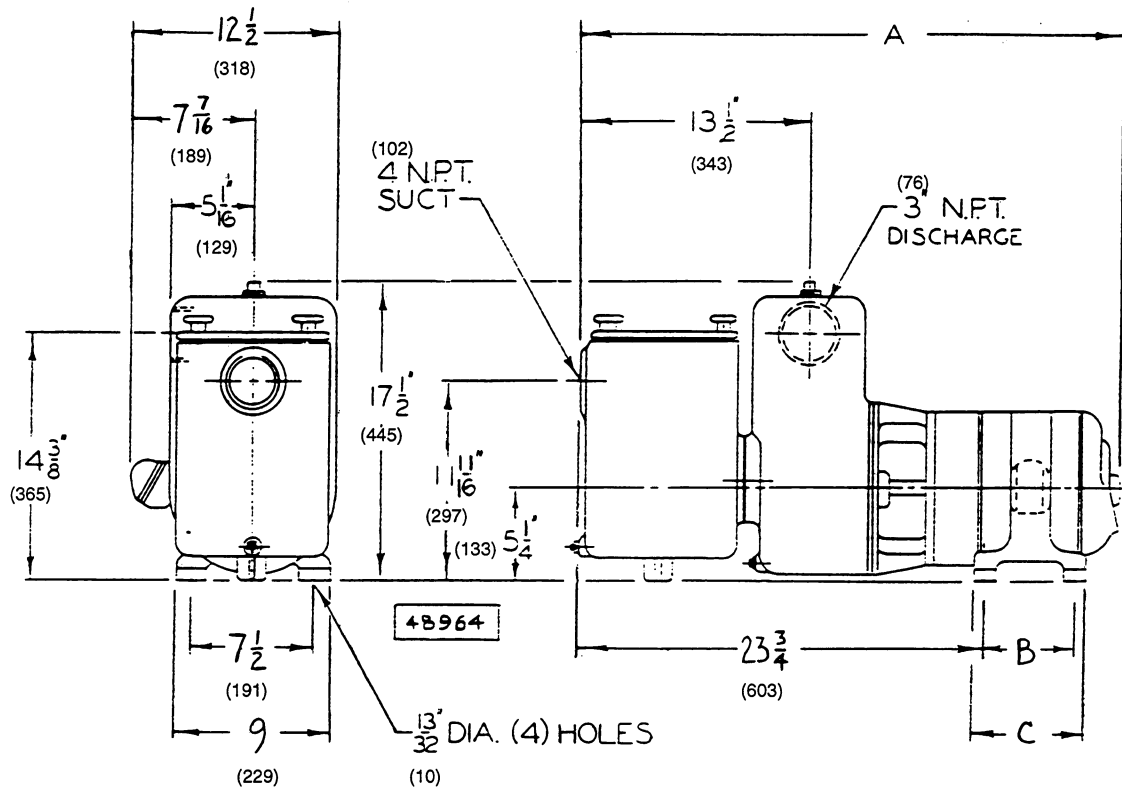


DIMENSIONS: 3B SERIES



All dimensions shown in inches
are Magnetek Motors.

| Frame | HP | PH | A | B | C |
|-------|-------|----|-------------|----------------|----------------|
| 182JM | 5 | 3 | 31 (787) | 4 1/2 (114) | 6 1/2 (165) |
| 184JM | 5 | 1 | 32 (813) | 5 1/2 (140) | 7 1/2 (191) |
| | 7 1/2 | 3 | | | |
| | 7 1/2 | 1 | | | |

Dimensions in inches(mm)

THESE DIMENSIONS NOT TO BE USED FOR CONSTRUCTION PURPOSES WITHOUT FORMAL FACTORY APPROVAL.
ITT MARLOW RESERVES THE RIGHT TO MAKE CHANGES IN DESIGN, MATERIALS, AND PRICES WITHOUT NOTICE.



Marlow

Marlow
8200 N. Austin Avenue
Morton Grove, IL 60053
Phone: (847) 583-2000
Facsimile: (847) 965-8379
<http://www.marlowpumpsonline.net>