

STA-RITE®

DYNA-GLAS™ and DYNA-MAX™ CENTRIFUGAL PUMPS WITH INTEGRAL TRAP

O W N E R ' S M A N U A L

(Unions optional)

INSTALLATION, OPERATION & PARTS

Series MPRA, **MPEA**, and MPFA
See Page 2 for Model Numbers

This manual should be furnished to the end user of this pump; its use will reduce service calls and chance of injury and will lengthen pump life.

Sta-Rite Pool/Spa Group

293 Wright Street, Delavan, WI 53115

North America: 800-752-0183, FAX 800-582-2217

International: 262-728-5551, FAX: 262-728-4461, TELEX: ITT 4970245

www.sta-ritepool.com

Union City, TN • Delavan, WI • Mississauga, Ont. • Murrieta, CA

Printed in U.S.A. © 2002, Sta-Rite Industries, Inc.

S243 (Rev. 12/5/02)

'MPRA', 'MPEA' & 'MPFA' SERIES PUMPS WITH TRAP

To avoid unneeded service calls, prevent possible injuries, and get the most out of your pump, **READ THIS MANUAL CAREFULLY!**

The Sta-Rite 'MPRA', 'MPEA' & 'MPFA' Series Self-priming Centrifugal pump:

- Is designed for use with swimming pools or as a centrifugal pump.
- Is an excellent performer; durable, reliable.

Table of Contents

Safety Instructions	3
Installation	4-5
Pool Pump Suction Requirements	5-6
Electrical	7-8
Operation	9
Storage/Winterizing	9-10
Pump Service.....	11-12
Troubleshooting Guide	12-13
Repair Parts List	14-15
Warranty	16

Single Speed Models			
HP	MPRA	MPEA	MPFA
3/4	MPRA6D-146L, MPRA6D-146LC	MPEA6D-146L	MPFA6D-176L
1	MPRA6E-147L, MPRA6E-147LC	MPEA6E-147L	MPFA6E-146L
1-1/2	MPRA6F-148L, MPRA6F-148LC	MPEA6F-148L	MPFA6F-147L
2	MPRA6G-155L, MPR6G-155LC	MPEA6G-155L	
2-1/2		MPEAA6G-168L	
Two Speed Models			
HP	MPRA	MPEA	
1-1/2	MPRA6YF-174L, MPRA6YF-174LS		
2		MPEA6YG-175L	
		MPEA6YG-175LS	
2-1/2		MPEAA6YG-168L	
		MPEAA6YG-168LS	

IMPORTANT SAFETY INSTRUCTIONS

Always follow basic safety precautions with this equipment, including the following.

▲ WARNING To reduce the risk of injury, do not permit children to use this product unless they are closely supervised at all times.

▲ CAUTION This pump is for use with permanently installed pools and may also be used with hot tubs and spas if so marked. Do not use with storable pools. A permanently installed pool is constructed in or on the ground or in a building such that it cannot be readily disassembled for storage. A storable pool is constructed so that it may be readily disassembled for storage and reassembled to its original integrity.

SAVE THESE INSTRUCTIONS

READ AND FOLLOW SAFETY INSTRUCTIONS!

▲ This is the safety alert symbol. When you see this symbol on your system or in this manual, look for one of the following signal words and be alert to the potential for personal injury.

▲ DANGER warns about hazards that **will** cause death, serious personal injury, or major property damage if ignored.

▲ WARNING warns about hazards that **can** cause death, serious personal injury, or major property damage if ignored.

▲ CAUTION warns about hazards that **will** or **can** cause minor personal injury or property damage if ignored.

NOTICE indicates special instructions not related to hazards.

Carefully read and follow all safety instructions in this manual and on equipment. Keep safety labels in good condition; replace if missing or damaged.

▲ WARNING **Incorrectly installed or tested equipment may fail, causing severe injury or property damage.**
Hazardous pressure Read and follow instructions in owner's manual when installing and operating equipment. Have a trained pool professional perform all pressure tests.

1. Do not connect system to a high pressure or city water system.
2. Use equipment only in a pool or spa installation.
3. Trapped air in system can cause explosion. BE SURE all air is out of system before operating or testing equipment.

Before pressure testing, make the following safety checks:

- Check all clamps, bolts, lids, and system accessories before testing.
- Release all air in system before testing.
- Tighten Sta-Rite trap lids to 30 ft. lbs. (4.1 kg-m) torque for testing.
- Water pressure for test must be less than 25 PSI (7.5 kg/cm²).
- Water Temperature for test must be less than 100° F. (38° C).
- Limit test to 24 hours. After test, visually check system to be sure it is ready for operation. Remove trap lid and retighten hand tight only.

NOTICE: These parameters apply to Sta-Rite equipment only. For non-Sta-Rite equipment, consult manufacturer.

NOTICE: Port threads are: Internal - 2" NPT for direct connection to pipe. External - 3-1/4" Buttress. Fits Sta-Rite U11-200P Union Collar for quick disconnect pipe connection.

See Page 14 for Union Kits.

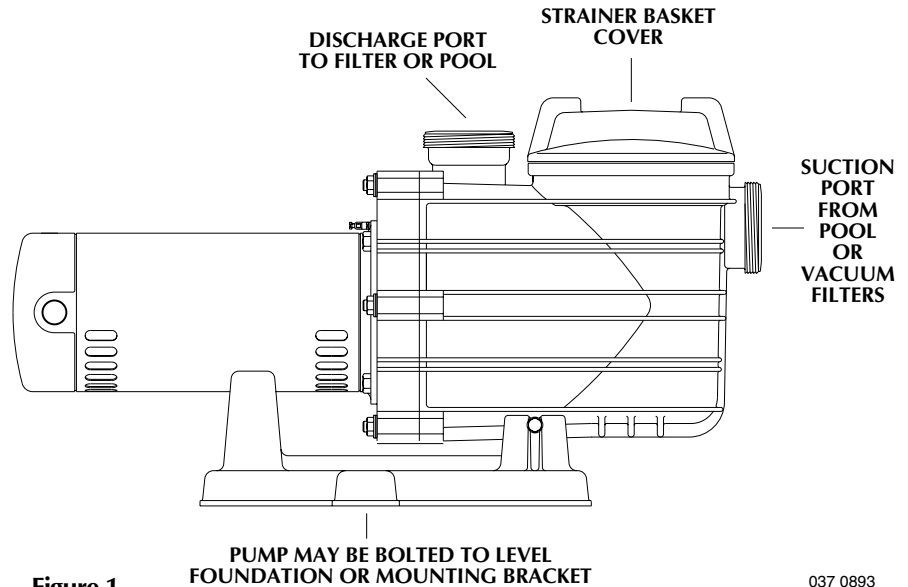


Figure 1

037 0893

INSTALLATION

Only qualified, licensed personnel should install pump and wiring.

Pump mount must:

Be located away from corrosive or flammable liquids.

Have enough ventilation to maintain air temperature at less than the maximum ambient temperature rating (Max. Amb.) listed on the motor model plate. If this pump is installed in an enclosure/pump house, the enclosure must have adequate ventilation and air circulation to keep the temperature in the enclosure at or below the motor's rated ambient temperature whenever the pump is running.

Be solid - Level - Rigid - Vibration free. (To reduce vibration and pipe stress, bolt pump to mount.)

Allow pump suction inlet height to be as close to water level as possible.

Pump will not lift water more than 10'(3m).

Allow use of short, direct suction pipe (To reduce friction losses).

Allow for gate valves in suction and discharge piping.

Have adequate floor drainage to prevent flooding.

Be protected from excess moisture.

Allow adequate access for servicing pump and piping.

▲WARNING Fire and burn hazard. Modern motors run at high temperatures. To reduce the risk of fire, do not allow leaves, debris, or foreign matter to collect around the pump motor. To avoid burns when handling the motor, let it cool for 20 minutes before trying to work on it.

NOTICE: When connecting threaded pipe directly to pump, use Teflon tape or Plasto-Joint Stik¹ to seal connections. Do not use pipe dope; pipe dope causes cracking in some plastics and may damage components in piping system.

When connecting pipe to pump with union half, use Teflon tape or Plasto-Joint Stik between pipe and union adapter. Union collar to pump should be assembled dry and hand-tight.

NOTICE: Pump suction and discharge connections have molded in thread stops. DO NOT try to screw pipe in beyond these stops.

¹Lake Chemical Co., Chicago, Illinois

Teflon Taping Instructions:

Use only new or clean PVC pipe fittings.

Wrap male pipe threads with one to two layers of Teflon tape. Cover entire threaded portion of pipe.

Do not overtighten or tighten past thread stop in pump port!

If leaks occur, remove pipe, clean off old tape, rewrap with one to two additional layers of tape and remake the connection.

NOTICE: Support all piping connected with pump!

Piping:

Use at least 2" (51mm) pipe. Increase size if a long run is needed.

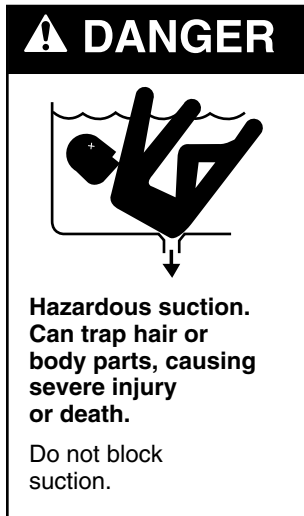
To avoid strains on the pump, support both suction and discharge pipes independently. Place these supports near the pump.

To avoid a strain left by a gap at the last connection, start all piping at the pump and run pipe **away** from the pump.

To avoid airlocking, slope suction pipe slightly upward toward the pump.

NOTICE: To prevent flooding when removing pump for service, all flooded suction systems **must** have gate valves in suction and discharge pipes.

POOL PUMP SUCTION REQUIREMENTS



⚠ Pump suction is hazardous and can trap and drown or disembowel bathers. Do not use or operate swimming pools, spas, or hot tubs if a suction outlet cover is missing, broken, or loose. Follow the guidelines below for a pump installation which minimizes risk to users of pools, spas, and hot tubs.

Entrapment Protection

The pump suction system *must* provide protection against the hazard of suction entrapment or hair entrapment/entanglement.

Suction Outlet Covers

All suction outlet covers must be maintained. They must be replaced if cracked, broken, or missing.

See Page 6 for outlet cover certification requirements.

All suction outlets must have correctly installed, screw-fastened covers in place.

Suction Outlets Per Pump (Figure 2, Page 6)

Provide at least two hydraulically balanced main drains, with covers, as suction outlets for each circulating pump suction line. The centers of the main drains (suction outlets) on any one suction line must be at least three feet apart.

The system must be built so that it cannot operate with the pump drawing water from only *one* main drain (that is, there must be at least two main drains connected to the pump whenever it is running – see Figure 2, Page 6).

However, if two main drains run into a single suction line, the single suction line may be equipped with a valve which will shut off *both* main drains from the pump (see Figure 2).

More than one pump can be connected to a single suction line as long as the requirements above are met.

Water Velocity

The maximum water velocity through the suction fitting or cover for any suction outlet must be 1.5 feet per second unless the outlet complies with the latest ASME/ANSI Specification for *Suction Fittings For Use in Swimming Pools, Spas, Hot Tubs, and Whirlpool Bathtub Applications*. In any case, do not exceed the suction fitting's maximum designed flow rate.

If 100% of the pump's flow comes from the main drain system, the maximum water velocity in the pump suction hydraulic system must be six feet per second or less even if one main drain (suction outlet) is completely blocked. The flow through the remaining main drain(s) must comply with the latest ASME/ANSI Specification for *Suction Fittings For Use in Swimming Pools, Spas, Hot Tubs, and Whirlpool Bathtub Applications*.

Testing and Certification

Suction outlet covers must have been tested by a nationally recognized testing laboratory and found to comply with the latest ASME/ANSI Specifications for *Suction Fittings For Use in Swimming Pools, Spas, Hot Tubs, and Whirlpool Bathtub Applications*.

Fittings:

Fittings restrict flow; for best efficiency use fewest possible fittings (but at least two suction outlets).

Avoid fittings which could cause an air trap.

Pool fittings must conform to International Association of Plumbing and Mechanical Officials (IAPMO) standards.

Use only non-entrapping suction fitting or double suction.

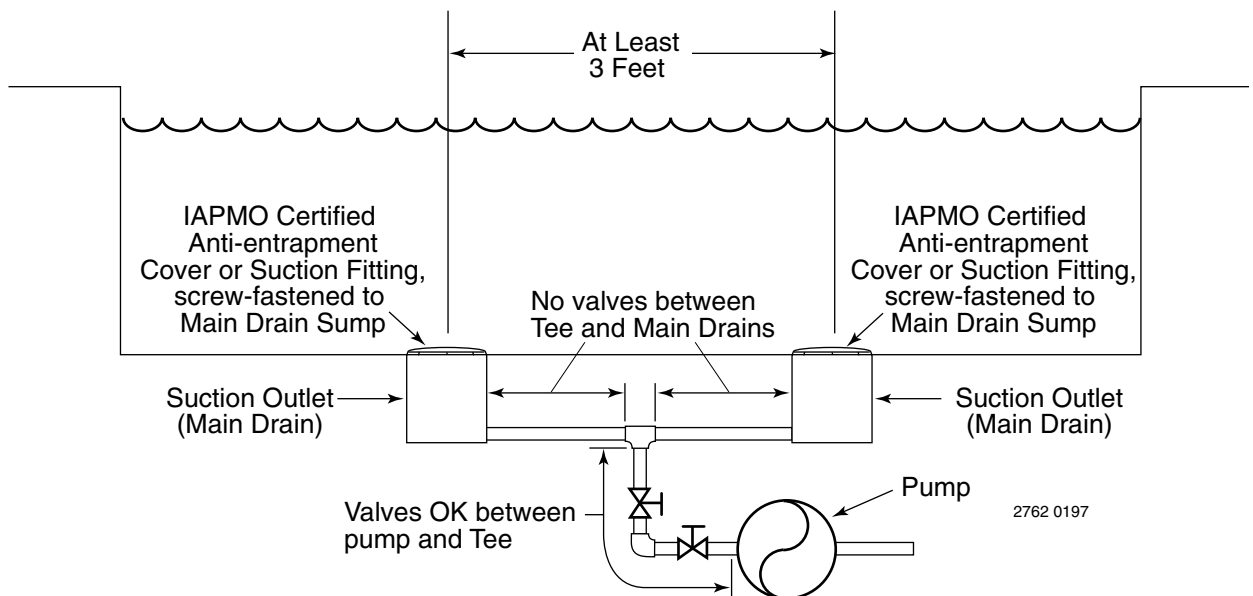


Figure 2 – Recommended pump suction layout.

ELECTRICAL

⚠ Ground motor before connecting to electrical power supply. Failure to ground motor can cause severe or fatal electrical shock hazard.

⚠ Do not ground to a gas supply line.

⚠ To avoid dangerous or fatal electrical shock, turn OFF power to motor before working on electrical connections.

⚠ Ground Fault Circuit Interrupter (GFCI) tripping indicates an electrical problem. If GFCI trips and will not reset, have a qualified electrician inspect and repair electrical system.

⚠ Exactly match supply voltage to nameplate voltage. Incorrect voltage can cause fire or seriously damage motor and voids warranty. If in doubt consult a licensed electrician.

Voltage

Voltage at motor must be not more than 10% above or below motor nameplate rated voltage or motor may overheat, causing overload tripping and reduced component life. If voltage is less than 90% or more than 110% of rated voltage when motor is running at full load, consult power company.

Grounding/Bonding

Install, ground, bond and wire motor according to local or National Electrical Code requirements.

Permanently ground motor. Use green ground terminal provided under motor canopy or access plate (See Fig. 3); use size and type wire required by code. Connect motor ground terminal to electrical service ground.

Bond motor to pool structure. Use a solid copper conductor, size No. 8 AWG (8.4 sq.mm) or larger. Run wire from external bonding lug (see Fig. 3) to reinforcing rod or mesh.

Connect a No. 8 AWG (8.4 sq.mm) solid copper bonding wire to the pressure wire connector provided on the motor housing and to all metal parts of the swimming pool, spa, or hot tub and to all electrical equipment, metal piping or conduit within 5 feet (1.5 m) of the inside walls of swimming pool, spa, or hot tub.

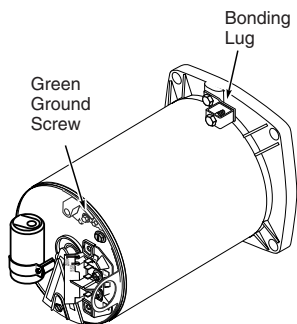


Figure 3 – Typical ground screw and bonding lug locations.

Wiring

Pump must be permanently connected to circuit. Table I, Page 8, give correct wire and circuit breaker sizes for the pump alone. If other lights or appliances are also on the same circuit, be sure to add their amp loads to pump amp load before figuring wire and circuit breaker sizes. (If unsure how to do this or if this is confusing, consult a licensed electrician.) Use the load circuit breaker as the master on-off switch.

Install a Ground Fault Circuit Interrupter (GFCI) in circuit; it will sense a short-circuit to ground and disconnect power before it becomes dangerous to pool users. For size of GFCI required and test procedures for GFCI, see manufacturer's instruction.

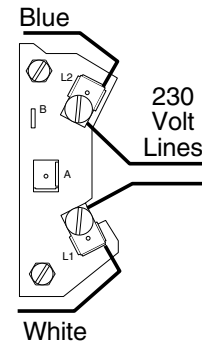


Figure 4A – Wiring connection diagram for single speed, single voltage motors.

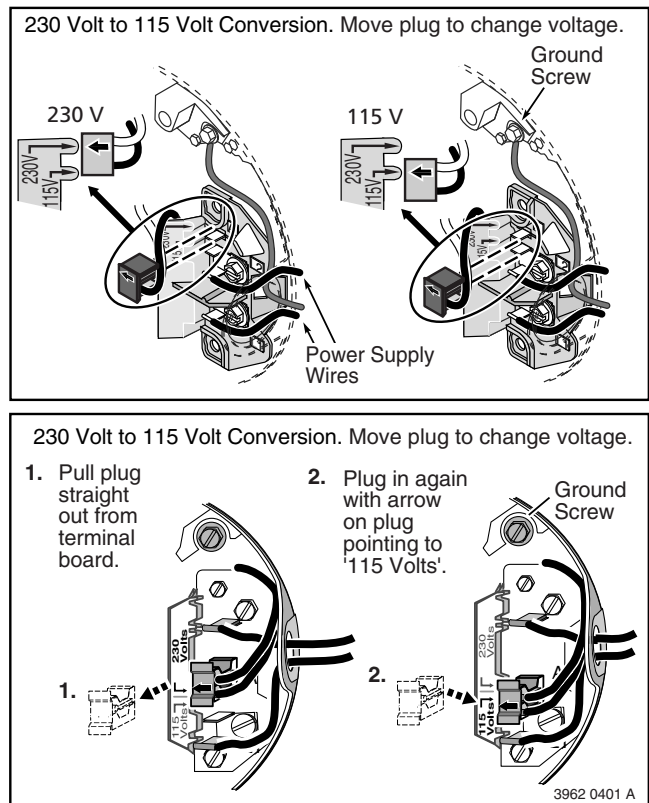
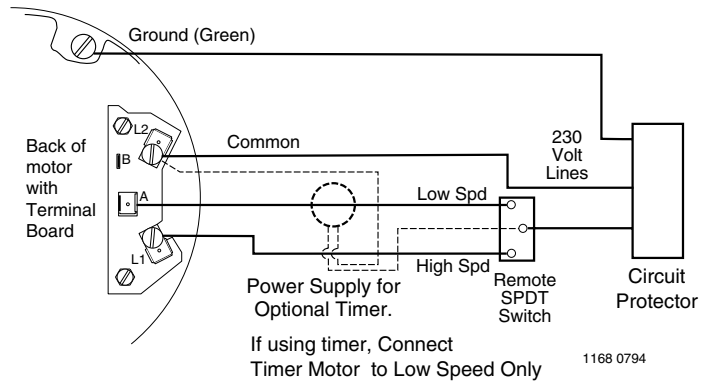


Figure 4B – Wiring connection diagram for 115/230V dual voltage, single speed motors.

NOTICE: 3 phase models require magnetic motor starters and external overload protection. If in doubt about the procedure, consult a licensed electrician.

In case of power outage, check GFCI for tripping (which will prevent normal pump operation). Reset if necessary.

NOTICE: If you do not use conduit when wiring motor, **be sure** to seal wire opening on end of motor to prevent dirt, bugs, etc., from entering.



Minimum switch and timer amp rating must equal Branch Fuse Rating given in "Recommended Fusing and Wiring Data" table.

Figure 4C – Wiring connection diagram for 2- speed motors.

TABLE I - RECOMMENDED CIRCUIT BREAKER AND WIRING DATA

Motor HP	Branch CB Rating Amps	Max Load Amps	Voltage/ Hz/Phase	Serv. to Motor - Dist. in Ft. (M)			AWG Wire Size (mm ²)
				0-100' (0-30)	101-200' (30-60)	201-300' (60-90)	
MPRA SERIES – SINGLE SPEED							
3/4	20/15	13.4/6.7	115/230/60/1	12/14(3/2)	10/14(5.5/2)	8/14(8.4/2)	}
1	20/15	15.3/7.6	115/230/60/1	12/14(3/2)	8/14(8.4/2)	6/14(14/2)	
1-1/2	25/15	19.2/9.6	115/230/60/1	10/14(5.5/2)	8/14(8.4/2)	6/12(14/3)	
2	20	12.0	230/60/1	14(2)	14(2)	12(3)	
MPEA SERIES – SINGLE SPEED							
3/4	15/15	11.0/5.5	115/230/60/1	14/14(2/2)	10/14(5.5/2)	8/14(8.4/2)	}
1	20/15	13.8/6.9	115/230/60/1	12/14(3/2)	10/14(5.5/2)	8/14(8.4/2)	
1-1/2	25/15	16.0/8.0	115/230/60/1	12/14(3/2)	8/14(8.4/2)	6/14(14/2)	
2	15	10.1-3.7	230/60/1	14(2)	14(2)	12(3)	
2-1/2	15	11.9-3.5	230/60/1	14(2)	14(2)	12(3)	
2	15	10.4	230/60/1	14(2)	14(2)	12(3)	
2-1/2	15	11.2	230/60/1	14(2)	14(2)	12(3)	
MPFA SERIES – SINGLE SPEED							
3/4	15/15	9.9/5.0	115/230/60/1	14/14(2/2)	10/14(5.5/2)	10/14(5.5/2)	}
1	20/15	13.4/6.7	115/230/60/1	12/14(3/2)	10/14(5.5/2)	8/14(8.4/2)	
1-1/2	20/15	15.3/7.6	115/230/60/1	12/14(3/2)	8/14(8.4/2)	6/14(14/2)	
MPRA SERIES – TWO SPEED							
1-1/2 – 1/4	15	9.2/2.5	230/60/1	14(2)	14(2)	12(3)	}
MPEA SERIES – TWO SPEED							
2 – 1/3	15	10.1/3.7	230/60/1	14(2)	14(2)	12(3)	}
2-1/2 – 1/2	15	11.9/3.5	230/60/1	14(2)	12(3)	12(3)	

⚠ WARNING



Figure 5 – Use a pry bar or board as shown to remove tight lid. Do not use a pry bar to tighten lid.

OPERATION

NOTICE: NEVER run pump dry. Running pump dry may damage seals, causing leakage and flooding. Fill pump with water before starting motor.

⚠ Before removing trap cover:

1. **STOP PUMP** before proceeding.
2. **CLOSE GATE VALVES** in suction and discharge pipes.
3. **RELEASE ALL PRESSURE** from pump and piping system.

⚠ If pump is being pressure tested, be sure pressure has been released before removing trap cover.

⚠ Do not block pump suction. To do so with body may cause severe or fatal injury. Small children using pool must ALWAYS have close adult supervision.

⚠ WARNING Fire and burn hazard. Modern motors run at high temperatures. To reduce the risk of fire, do not allow leaves, debris, or foreign matter to collect around the pump motor. To avoid burns when handling the motor, let it cool for 20 minutes before trying to work on it. An automatic internal cutoff switch protects the motor from heat damage during operation.

Priming Pump

Release all pressure from filter, pump, and piping system; see the filter owner's manual.

In a flooded suction system (water source higher than pump), pump will prime itself when suction and discharge valves are opened.

If pump is not in a flooded suction system, unscrew and remove trap cover (see Figure 5); fill trap and pump with water. Clean and inspect O-Ring; reinstall on trap cover.

Do not lubricate the trap cover O-Ring. The original equipment O-Ring contains a permanent internal lubricant.

NOTICE: If you replace the O-Ring with a non-internally lubricated O-Ring, you may need to apply a silicone based lubricant.

Replace trap cover on trap; turn clockwise to tighten cover.

NOTICE: Tighten trap cover by hand only (**no wrenches!**)

Pump should prime now. Priming time will depend on vertical length of suction lift and horizontal length of suction piping.

If pump does not prime, make sure that all valves are open, suction pipe end is under water, pump is not trying to lift water more than 10'(3m), and that there are no leaks in suction pipe. See Troubleshooting Guide, Pages 12 and 13.

Storage/Winterizing:

NOTICE: Allowing pump to freeze will damage pump and void warranty!

NOTICE: Do not use anti-freeze solutions (except propylene glycol) in your pool/spa system. Propylene glycol, "RV antifreeze", is non-toxic and will not damage plastic system components; other anti-freezes are highly toxic and may damage plastic components in the system.

Drain all water from pump and piping when expecting freezing temperatures or when storing pump for a long time (see instructions below).

Keep motor dry and covered during storage.

To avoid condensation/corrosion problems, **do not** cover pump with plastic.

For outdoor/unprotected installations:

1. Enclose entire system in a weatherproof enclosure.
2. To avoid condensation/corrosion damage, allow ventilation; **do not** wrap system in plastic.
3. Use a 40% propylene glycol/60% water solution to protect pump to -50°F (-46°C).

Draining Pump

⚠ WARNING Explosion hazard. Purging the system with compressed air can cause components to explode, with risk of severe injury or death to anyone nearby. Use only a low pressure (below 5 PSI), high volume blower when air purging the pump, filter, or piping.

1. Pump down water level below all inlets to the pool.

⚠ To avoid dangerous or fatal electrical shock hazard, turn OFF power to motor before draining pump.

2. Remove trap cover and use low pressure air to blow accumulated water from the piping system. Use a pry bar or board to remove trap covers that have been overtightened or have taken a set and cannot be removed by hand. Lugs have been provided on the trap lid to use a lever or pry bar for loosening (see Figure 6).
3. Cap inlet piping after draining to keep water out of the pipes.
4. To prevent pump from freezing, remove trap cover and drain the tank body through the two drain plugs provided.
 - A. Gravity drain system as far as possible.
 - B. Protect areas which retain water with non-toxic propylene glycol antifreeze ("RV" antifreeze).
5. Clean pump thoroughly; replace trap cover.

NOTICE: Tighten trap cover by hand only (**no wrenches**)! If pump is not anchored, use caution to not break attached piping!

6. Be sure motor is kept dry and covered.

Startup For Winterized Equipment

1. Remove any temporary weather protection placed around system for shutdown.
2. Follow filter manufacturer's instructions for reactivation of the filter.
3. Inspect all electrical wiring for damage or deterioration over the shutdown period. Have a qualified serviceman repair wiring as needed.
4. Inspect and tighten all watertight connections.
5. Open all valves in suction and return piping.
6. Remove any winterizing plugs in piping system.
7. Drain all antifreeze from system.
8. Close all drain valves and replace all drain plugs in piping system.
9. Prime pump according to instructions on Page 9.

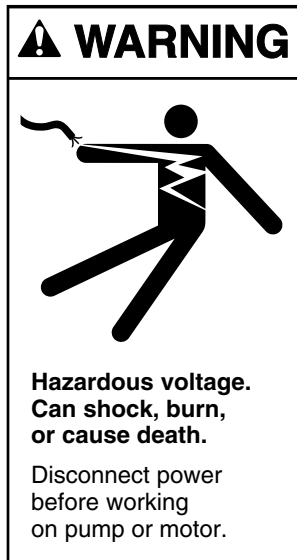


Figure 6 – Use a pry bar or board as shown to remove tight lid. Do not use a pry bar to tighten lid.

⚠ CAUTION

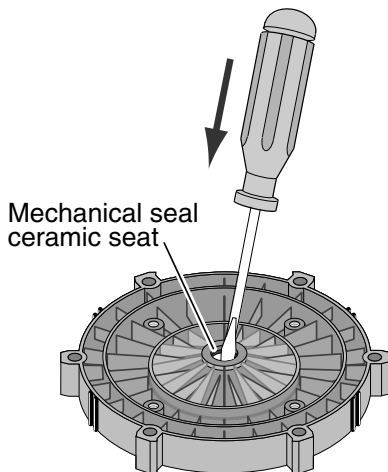


Figure 7

PUMP SERVICE

Pump should only be serviced by qualified personnel.

For best results, use only genuine Sta-Rite factory parts.

Be sure to prime pump (Page 9) before starting.

⚠ Before removing trap cover:

1. **STOP PUMP** before proceeding.
2. **CLOSE GATE VALVES** in suction and discharge pipes.
3. **RELEASE ALL PRESSURE** from pump and piping system.

⚠ To avoid dangerous or fatal electrical shock hazard, turn OFF power to motor before working on pump or motor.

Aside from lubricating trap cover "O" Ring, no lubrication or regular maintenance is needed beyond reasonable care and periodic cleaning of strainer basket.

If shaft seal is worn or damaged, repair as follows:

Pump Dissassembly/Removing Old Seal

Disconnect power to pump motor.

⚠ Be sure valves on suction and return piping are closed before starting work.

Release all pressure by opening all vents before starting work.

1. Drain pump by removing drain plugs on bottom of pump body and trap body.
2. **Be sure** there is no pressure in trap body; remove cover (unscrew by turning counterclockwise).
3. Remove 6 nuts, lockwashers and flat washers holding seal plate to pump body. Pull seal plate and motor away from pump body. (You may have to **CAREFULLY** use a screwdriver to separate body from seal plate.)
4. Remove seven screws and washers holding diffuser to seal plate. Remove diffuser.
5. Remove motor canopy. Being careful not to touch capacitor terminals, loosen capacitor clamp and move capacitor to one side.
6. Hold shaft with 7/16" open-end wrench on motor shaft flats.
7. Unscrew impeller from shaft (turn counterclockwise when facing it).
NOTICE: On 2 HP model, remove impeller screw (left hand thread - turn **clockwise**) and gasket before removing impeller. Inspect gasket for damage, cracks, etc. Replace if damaged.
8. Remove four screws holding seal plate to motor.
9. Place seal plate face down on flat surface and tap out ceramic seat (Fig. 7).
10. Remove slinger from motor shaft and inspect for damage or abrasion.
11. Clean seal cavity in seal plate and clean motor shaft.

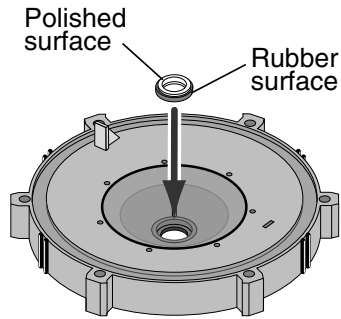


Figure 8

Pump Reassembly/Installing New Seal

1. Ceramic seat must be clean and free of dirt, grease, dust, etc. Wet outer edge with small amount of liquid detergent; press ceramic seat into seal plate cavity firmly and squarely with finger pressure (Fig. 8).
2. If ceramic seat will not locate properly, remove it, place **face up** on bench and reclean cavity. Ceramic seat should now locate.
3. If seat still will not locate properly, place a cardboard washer over the polished face and use a piece of 3/4" (19mm) standard pipe for pressing purposes. **NOTICE: Be sure** not to scratch or mar polished surface or seal will leak.
4. Replace slinger on end of motor shaft so that impeller sleeve will push it into position. If slinger shows signs of wear or damage, replace it.
5. Remount seal plate on motor. Tighten bolts to 60-80 inch-lbs. (69-92 kg/cm) torque.
6. Apply a **small** amount of liquid detergent to inside diameter of rotating half of seal.
7. Slide rotating seal member, polished carbon face out, over impeller sleeve until rubber drive ring hits back of impeller.
NOTICE: Be sure not to nick or scratch polished seal face; seal will leak if face is damaged.
8. Screw impeller onto shaft (clockwise); this will automatically locate seal in seal plate.
NOTICE: On 2 and 2-1/2 HP models; install impeller gasket and lock screw (left-hand thread - turn counterclockwise). Torque lock screw to 50-55 inch-lbs. (57.6-63 kg/cm).
9. Mount diffuser on seal plate; tighten screws to 10-14 inch-lbs. (11.2-16.1 kg/cm) torque.
10. Assemble motor and seal plate to pump body with nuts, flat washers and lock washers. Torque nuts to 120-130 in-lbs. (138-150 kg/cm).
11. Prime pump according to instructions on Page 9.

TROUBLESHOOTING GUIDE

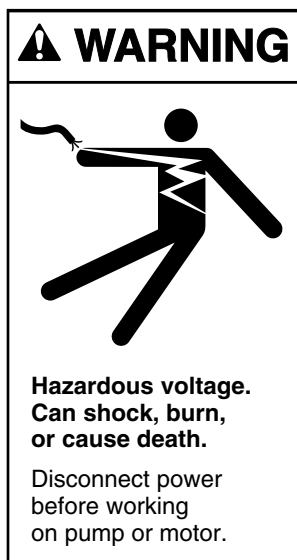
⚠ Read and understand safety and operating instructions in this manual before doing any work on pump!

⚠ Only qualified personnel should electrically test pump motor!

FAILURE TO PUMP; REDUCED CAPACITY OR DISCHARGE PRESSURE

Suction leaks/lost prime:

1. Pump must be primed; make sure that pump volute and trap are full of water. See priming instructions, Page 9.
2. Make sure there are no leaks in suction piping.
3. Make sure suction pipe inlet is well below the water level to prevent pump from sucking air.
4. If suction trap gasket is defective, replace it.
5. Make sure pump is not trying to lift water more than 10'(3m).
6. Make sure suction pipe is at least 2" (51mm) in diameter.



Clogged pipe/trap/impeller, worn impeller:

7. Make sure suction trap is not clogged; if it is, clean trap and strainer.
8. Make sure impeller is not clogged (follow steps 1 through 7 under “Removing Old Seal”, Page 11; check impeller for clogging; follow steps 7 through 11 under “Installing New Seal”, Page 12, for reassembly).
9. Impeller and diffuser may be worn. If so, order replacement parts from Repair Parts List, Pages 14 and 15.

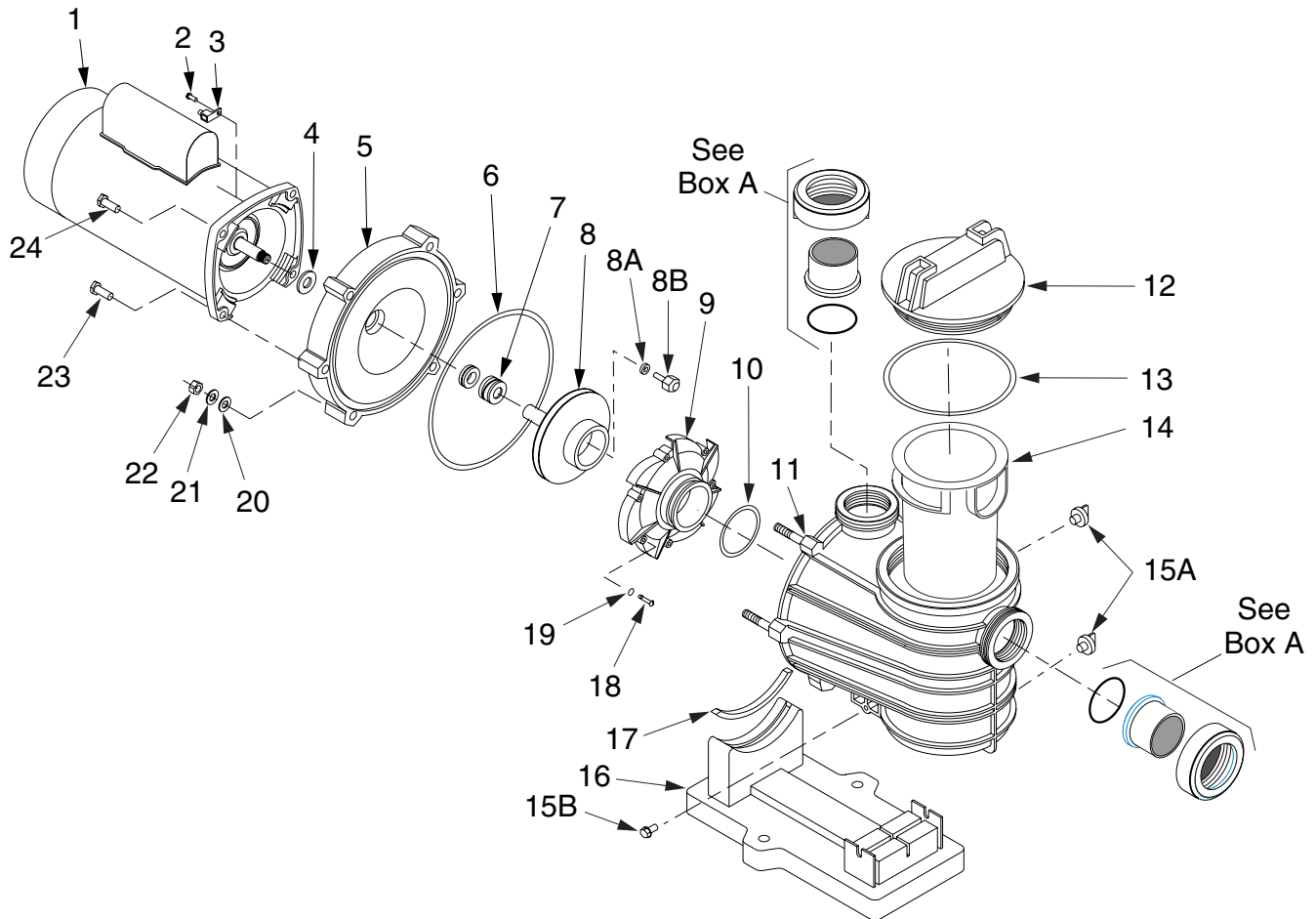
Electrical:

10. Pump may be running too slowly; check voltage at motor terminals and at meter while pump is running. If low, see wiring instructions or consult power company. Check for loose connections.
11. Pump may be too hot.
 - A. Check line voltage; if less than 90% or more than 110% of rated voltage consult a licensed electrician.
 - B. Increase ventilation.
 - C. Reduce ambient temperature.
 - D. Tighten any loose connections.

MECHANICAL TROUBLES AND NOISE

1. If suction and discharge piping are not adequately supported, pump assembly will be strained. See “Installation”, Page 4.
2. Do not mount pump on a wooden platform! Securely mount on concrete platform for quietest performance.

REPAIR PARTS LIST DYNA-GLAS™ & DYNA-MAX™ POOL PUMP 3/4 through 2-1/2 HP Models Single Speed and Two Speed



Model No.	HP	Motor (Key No. 1)
Single Speed 115/230/60/1		
MPRA6D-146L	3/4	A100DLL
MPRA6E-147L	1	A100ELL
MPRA6F-148L	1-1/2	A100FLL
MPEA6D-146L	3/4	AE100DLL
MPEA6E-147L	1	AE100ELL
MPEA6F-148L	1-1/2	AE100FLL
MPFA6D-176L	3/4	A100DLL
MPFA6E-146L	1	A100ELL
MPFA6F-147L	1-1/2	A100FLL
230/60/1		
MPRA6G-155L	2	A100GLL
MPEA6G-155L	2	AE100GLL
MPEAA6G-168L	2-1/2	AE100G5LL
Two Speed 230/60/1		
MPRA6YF-174L	1-1/2	A100FLL-Y
MPRA6YF-174LS	1-1/2	A100FLL-Y
MPEA6YG-175L	2	AE100GLL-Y
MPEA6YG-175LS	2	AE100GLL-Y
MPEAA6YG-168L	2-1/2	AE100G5LL-Y
MPEAA6YG-168LS	2-1/2	AE100G5LL-Y

Box A

For quick disconnect pipe connections, purchase separately:
 Pkg. 188 2" Slip 1/2 Union Kit or
 Pkg. 189 2" NPT 1/2 Union Kit.

Includes:
 U11-200P Union Collar
 U9-362 O-Ring
 U11-196P 2" Slip adapter or
 U11-199P 2" NPT adapter.

REPAIR PARTS LIST DYNA-GLAS™ & DYNA-MAX™ POOL PUMP 3/4 through 2-1/2 HP Models Single Speed and Two Speed

Key No.	Part Description	Qty.	MPFA6D-176L MPEA6D-146L MPRA6D-146L MPRA6D-146LC 3/4 HP	MPEA6E-147L MPFA6E-146L MPRA6E-147L MPRA6E-147LC 1 HP	MPEA6F-148L MPFA6F-147L MPRA6F-148L MPRA6F-148LC MPRA6YF-174L MPRA6YF-174LS 1-1/2 HP	MPEA6G-155L MPRA6G-155L MPRA6G-155LC MPEA6YG-175L MPEA6YG-175LS 2 HP	MPEAA6G-168L MPEAA6YG-168L MPEAA6YG-168LS 2-1/2 HP
2	Screw #10-32x1/2"	1	U30-692SS	U30-692SS	U30-692SS	U30-692SS	U30-692SS
3	Bonding Lug	1	U17-568	U17-568	U17-568	U17-568	U17-568
4	Slinger (MPFA, MPRA Series)	1	17351-0009	17351-0009	17351-0009	17351-0009	17351-0009
4	Slinger (MPEA Series)	1	C69-24	C69-24	C69-24	C69-24	C69-24
5	Seal Plate	1	C3-184P	C3-184P	C3-184P	C3-184P	C3-184P
6	Seal Plate Cord Ring	1	U9-373	U9-373	U9-373	U9-373	U9-373
7	Shaft Seal	1	37400-0027	37400-0027	37400-0027	37400-0027	37400-0027
8	Impeller*	1	C105-236P	C105-236PB	C105-236PC	C105-236PDA	C105-236PEA
8	Impeller (MPRA6Y, MPEA6Y and MPEAA6Y only)	1	–	–	C105-236PF	C105-236PGAB	C105-236PEA
8	Impeller (MPFA6D, MPFA6E, MPFA6F only)	1	C105-236PJ	C105-236P	C105-236PB	–	–
8A	Gasket	1	–	–	–	33455-1047	33455-1047
8B	Impeller Lock Screw	1	–	–	–	37337-6080	37337-6080
9	Diffuser	1	C1-270PB	C1-270PC	C1-270P	C1-270P	C1-270P
10	Diffuser "O" Ring	1	U9-374	U9-374	U9-374	U9-374	U9-374
11	Tank and Trap Body (Only)	1	C76-58P	C76-58P	C76-58P	C76-58P	C76-58P
12	Trap Cover	1	C3-185P	C3-185P	C3-185P	C3-185P	C3-185P
13	Trap Cover "O" Ring	1	U9-375	U9-375	U9-375	U9-375	U9-375
14	Trap Basket	1	C8-58P	C8-58P	C8-58P	C8-58P	C8-58P
15A	Drain Plug	2	U178-920P	U178-920P	U178-920P	U178-920P	U178-920P
15B	Mounting Screw 5/16-14x5/8"	2	U30-919SS	U30-919SS	U30-919SS	U30-919SS	U30-919SS
16	Base - Plastic	1	C4-77P	C4-77P	C4-77P	C4-77P	C4-77P
•	Base - Steel (LS Suffix)	1	–	–	17303-0113	17303-0113	17303-0113
17	Motor Pad - for Plastic Base	1	C35-45	C35-45	C35-45	C35-45	C35-45
17	Motor Pad - for Steel Base (LS Suffix)	1	–	–	C35-5	C35-5	C35-5
18	Screw #8-32x7/8" Rd. Hd.	7	U30-542SS	U30-542SS	U30-542SS	U30-542SS	U30-542SS
19	Lock Washer #8 Ext. Tooth	7	U43-21SS	U43-21SS	U43-21SS	U43-21SS	U43-21SS
20	Flat Washer 3/8"	6	U43-62SS	U43-62SS	U43-62SS	U43-62SS	U43-62SS
21	Lock Washer 3/8"	6	U43-12SS	U43-12SS	U43-12SS	U43-12SS	U43-12SS
22	Nut 3/8-16 Hex	6	U36-38SS	U36-38SS	U36-38SS	U36-38SS	U36-38SS
23	Cap Screws 3/8-16x1-1/4" Hex. (LS Suffix)	2	–	–	U30-75SS	U30-75SS	U30-75SS
•	Lock Washer 3/8" (LS Suffix)	2	–	–	U43-12SS	U43-12SS	U43-12SS
24	Cap Screws 3/8-16x1" Hex. *	4	U30-74SS	U30-74SS	U30-74SS	U30-74SS	U30-74SS
•	Nameplate	1	32155-4071	32155-4071	32155-4071	32155-4071	32155-4071
•	Tag, "CAUTION This pump equipped with mechanical shaft seal..."	1	61002-0002	61002-0002	61002-0002	61002-0002	61002-0002
•	Voltage Sticker	1	U27-153	U27-153	U27-153	U27-68	U27-68
•	Decal "Overtight trap lid..."	1	U27-644	U27-644	U27-644	U27-644	U27-644
•	Tag, "WARNING/CAUTION/Instructions..."	1	C63-12	C63-12	C63-12	C63-12	C63-12

• Not illustrated.

* Models with "LS" suffix use 2 only.

STA-RITE LIMITED WARRANTY

Pumps, filters, skimmers, underwater lights (except bulbs), accessories and fittings manufactured by Sta-Rite are warranted to be free of defects in material and workmanship for one (1) year from date of installation.

Product specific warranties:	Year from date of installation
<i>HRPB, DEPB, System 3, and PL</i> - Tanks	10 years
Internal filter components and valves	1 year
<i>Max-E-Therm</i> - Pool/Spa Heaters	2 years
Heater Enclosure only (Upper RH & LH; lower enclosure; and control board enclosure)...	10 years
<i>Automatic Pool Cleaners including Hose</i>	2 years
<i>Cristal-Flo filters</i> - Tanks	10 years pro-rated*
Valve and internal components.	1 year
<i>Posi-Flo II</i> - Tanks	10 years
Elements	1 year
<i>PRC Cartridge</i> -	
Filter Tanks5 years pro-rated (1st 2 years full)
Elements	1 year
<i>System 3 Above Ground Systems</i> - Tanks	10 years
Pumps / Platform and Internals	1 year
<i>Pumps</i>	1 year
When equipped with A.O. Smith 2-compartment motors (Does not include pumps sold as part of a systems package)	2 years
<i>Traps / In-Line Strainers</i>	1 year
<i>Vertical Commercial Filter</i> - Tanks	10 years
Internals	1 year
<i>Horizontal Commercial Filter</i>	
Tanks5 years
(Years 6-9, Prorated declining 20%/year, Yr. 10 - 10%)	
Internals	1 year

* Full warranty coverage is in effect for one year after installation. The pro-rated warranty covers the *tank only* during the 2nd through 10th year after installation. The amount covered decreases by 10% each year. (ie., 2nd year 90% covered, 3rd year 80% covered, etc.).

The foregoing warranties relate to the original consumer purchaser ("Purchaser") only. Sta-Rite shall have the option to repair or replace the defective product, at its sole discre-

tion. Purchasers must pay all labor and shipping charges necessary to replace the product covered by this warranty. Requests for warranty service must be made through the installing dealer. This warranty shall not apply to any product that has been subject to negligence, misapplication, improper installation or maintenance, or other circumstances which are not in Sta-Rite's direct control.

This warranty sets forth Sta-Rite's sole obligation and Purchaser's exclusive remedy for defective products.

STA-RITE SHALL NOT BE LIABLE FOR ANY CONSEQUENTIAL, INCIDENTAL OR CONTINGENT DAMAGES WHATSOEVER.

THE FOREGOING WARRANTIES ARE EXCLUSIVE AND IN LIEU OF ALL OTHER EXPRESS WARRANTIES. IMPLIED WARRANTIES, INCLUDING BUT NOT LIMITED TO THE IMPLIED WARRANTIES OF MERCHANTABILITY AND FITNESS FOR A PARTICULAR PURPOSE, SHALL NOT EXTEND BEYOND THE DURATION OF THE APPLICABLE EXPRESS WARRANTIES PROVIDED HEREIN.

Some states do not allow the exclusion or limitation of incidental or consequential damages or limitations on how long an implied warranty lasts, so the above limitations or exclusion may not apply to you. This warranty gives you specific legal rights and you may also have other rights which vary from state to state.

Supersedes all previous publications.

**Sta-Rite Industries, Inc.,
293 Wright St., Delavan, WI 53115**

▲ **Retain Warranty Certificate (upper portion) in a safe and convenient location for your records.**

DETACH HERE: Fill out bottom portion completely and mail within 10 days of purchase/installation to:

▼ **Sta-Rite, Attn: Warranty Dept., 293 Wright St., Delavan, WI 53115**

STA-RITE®



Warranty Registration Card

Name _____

Years pool has been in service less than 1 1-3 3-5 5-10 _____

Address _____

Purchased from:
Company name _____

City _____ State _____ Zip _____

Address _____

Purchase Date _____

City _____ State _____ Zip _____

Product Purchased _____

New installation Replacement _____

Please send me more information on these other products from Sta-Rite.

Type of Pool Inground Vinyl Fiberglass Gunite _____

- Pumps Filters Automatic Pool Cleaners
- Maintenance Equipment Test Strips
- Heaters

Size of Pool _____